

C10 Smart Processor

The Cognio™ C10 processor provides signal processing, audio channels, and control all in a single unit, and also bridges the gap between IP networks and USB-equipped computers. With plenty of Dante and Signal Processing Channels, the C10 is at home in almost every mid-sized environment or as a piece of a multi-space installation.

KEY FEATURES

- 16x16 transmit and receive Dante channels
- 2 AEC channels
- 2x2 USB-C Audio Bridging with HID Sync
- 48 kHz/96 kHz, 24-bit Open Architecture Signal Processing
- USB-C port (3.2)
- 2x 1Gb Ethernet ports
- GPI port
- Run multiple independent Signal Flow Spaces on a single system
- Extensive control options via Symetrix Cognio™ DesignOps control screens, TC-Series touchscreens, WC-Series remotes, and TCP/UDP
- Web server for third party control and personal device integration
- Third-party control via extensive driver library and custom Lua scripting
- External Control using JSON-RPC
- POE+ power
- Optional DC power enables 50W charging of user devices
- Surface or VESA mounting hardware included
- Rack mounted with optional accessory

SYSTEM SPECIFICATIONS	
System Management	Cognio DesignOps software
Operating System	Cognio OS, Linux based
Control of Third-Party Devices	Cognio Driver Library and Custom Lua Scripting
External Control of C20	JSON-RPC
Embedded Web Server	Provides remote metering, diagnostics, and configurable browser-based control
Remote Monitoring	Symetrix AV-Ops Center built on Xyte
Security	Encrypted Communications Support for Encrypted Dante Encrypted Firmware Updates Secure boot Hardware Locking
Processing	ARM Multi-core CPU
Sampling Rate	48 kHz or 96 kHz
Bit Depth	24 Bit
Ethernet Dante Inputs	1× RJ45 1 Gbit/Sec
Ethernet Control Inputs	1× RJ45 1 Gbit/Sec
USB	1x USB 3.2 Type C

CONFIGURATION	
Dante Channels	16×16
AEC Channels	2
USB Audio Bridging	2x2

MECHANICAL SPECIFICATIONS	
Form Factor	VESA, Rack or surface-mountable: 1U rack high
Dimensions	1.7 x 4.7 x 7.4 in (42.76 x 119.8 x 187.6 mm)
Shipping Weight	1.5 lb (0.68 kg)
Mounting Options	Surface mount brackets included, optional 1U rack tray. VESA Mount with optional hardware

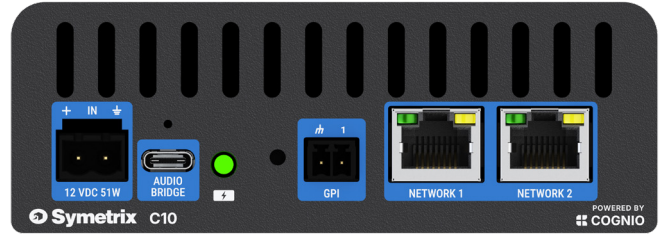
POWER	
Power Supply	PoE+ or External DC
Rated Line Voltage	24 VDC
Rated Wattage	51 W
Power Delivery	50 W USB-C charging with external DC power supply

OPERATING ENVIRONMENT	
Standard Operating Temperature	0° to 40°C (32° to 104°F)

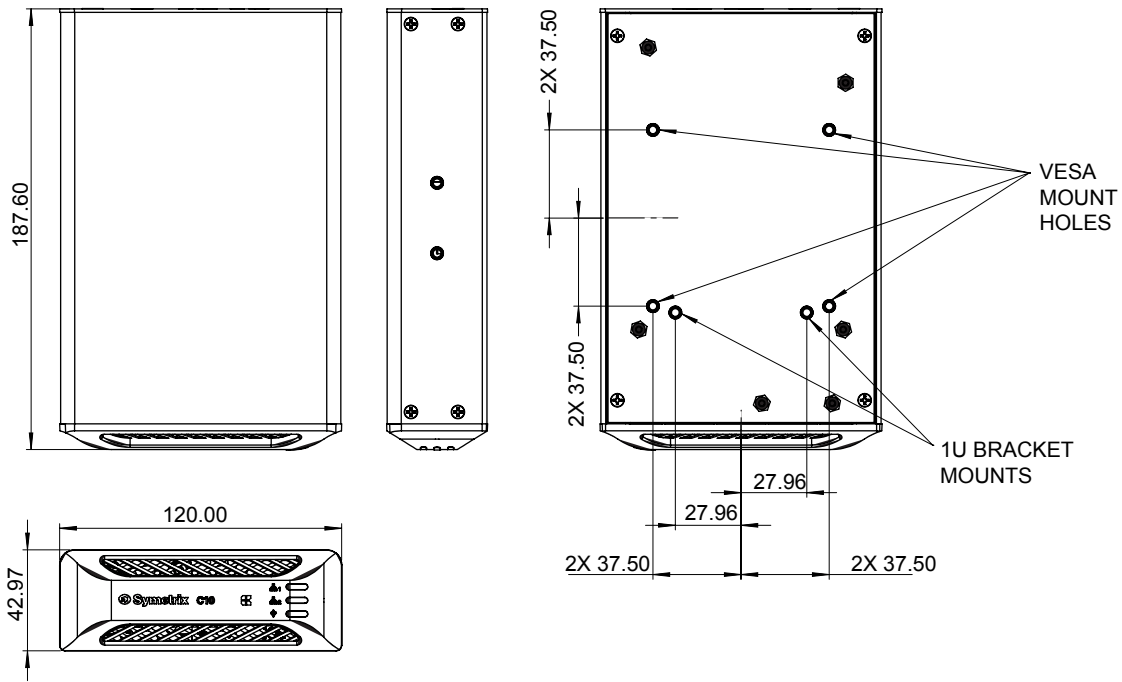
FRONT PANEL



REAR PANEL



DIMENSIONS



DIMENSIONS WITH 1U RACK TRAY

