

T-5C Smart Touchscreen

TC- Series smart touchscreens provide signal processing, AVoIP channels, and customized system control for diverse AV environments.

The TC- Series touchscreens can be located anywhere that is convenient for users to access their AV systems.

All three sizes of touchscreens include signal processing, Dante audio channels and control, all in a single unit to provide everything needed for an entire space.

SERIES FEATURES

- 16x16 transmit and receive Dante channels
- 48 kHz/96 kHz, 24-bit Open Architecture Signal Processing
- 1 x 1Gb Ethernet port
- Run multiple independent Signal Flow Spaces on a single system
- Extensive control options via Symetrix Cognio™ DesignOps control screens, TC-Series touchscreens, WC-Series remotes, and TCP/UDP
- Web server for third party control and personal device integration
- Third-party control via extensive driver library and custom Lua scripting
- External Control using JSON-RPC
- Meets modern security standards including encrypted communications, secure boot, secure firmware updates, and hardware locking
- POE+ power
- Fits US and Euro double-gang wall and junction boxes
- 5 in diagonal, 1280x800 resolution, 500 nit

SYSTEM SPECIFICATIONS	
System Management	Cognio DesignOps software
Operating System	Cognio OS, Linux based
Control of Third-Party Devices	Cognio Driver Library and Custom Lua Scripting
External Control of C20	JSON-RPC
Embedded Web Server	Provides remote metering, diagnostics, and configurable browser-based control
Remote Monitoring	Symetrix AV-Ops Center built on Xyte
Security	Encrypted Communications Support for Encrypted Dante Encrypted Firmware Updates Secure boot Hardware Locking
Processing	ARM Multi-core CPU
Sampling Rate	48 kHz or 96 kHz
Bit Depth	24 Bit
Dante Channels	16 x 16
Ethernet Dante and Control Inputs	1x RJ-45 1 Gbit/Sec

DISPLAY	
Display Type	Capacitive touch full color TFT LCD
Viewable Area	4.2 x 2.5 in (107.7 x 64.5 mm), 4.9 in (126.6 mm) diagonal
Resolution	1280x720
Aspect Ratio	16:9
Brightness	500 nits
Color	16.7M
Orientation	Landscape (horizontal) or Portrait (vertical)
Multitouch	5 fingers

MECHANICAL SPECIFICATIONS	
Form Factor	Double-gang US or Euro wall mount
Dimensions	5.8 x 4.7 x 1.8 in (148.3 x 119.9 x 45.5 mm)
Weight	0.95 lb (0.43 kg)
Weight with Bracket	1.15 lb (0.52 kg)
Shipping Weight	1.25 lb (0.56 kg)
Mounting Options	Wall mount with included bracket or optional tabletop stand

Continued...

POWER

Power Supply	PoE+, IEEE 802.3at compliant
Rated Wattage	25.5 W maximum

OPERATING ENVIRONMENT

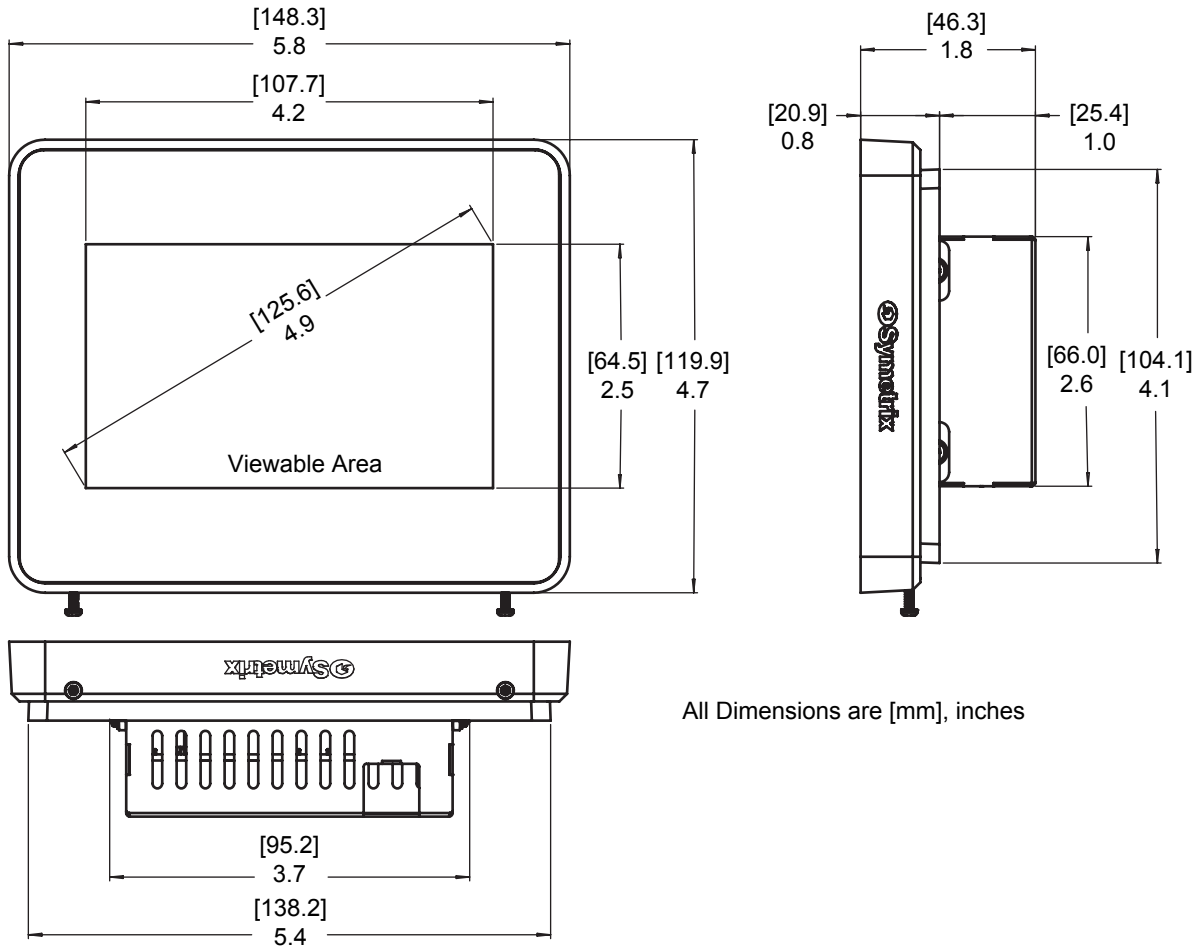
Standard Operating Temperature	0° to 40°C (32° to 104°F)
--------------------------------	---------------------------

FRONT PANEL



REAR PANEL

DIMENSIONS



All Dimensions are [mm], inches